

NEWS LETTER

ZX0200 HDMI type A, C, D Breakout adapters

Offering full set of HDMI electrical test board supporting connectors type **A** (standard) , **C** (mini)and **D** (Micro) tailored for **Agilent, Tektronix** and **Lecroy** (with built-in **TF-HDMI-3.3 filter**) test suites

Plug connectors: HDMI TPA-P TDR, HDMI TPA-P-SE, HDMI TPA-P-DI

Socket connectors: HDMI TPA-R-TDR, HDMI TPA-R-SE, HDMI-TPA-R-DI

The modules are offered in all type **A, C** and **D** connector styles. Exceptional test results exceeding 1080p and 4K @297MHz resolutions electrical test cases.

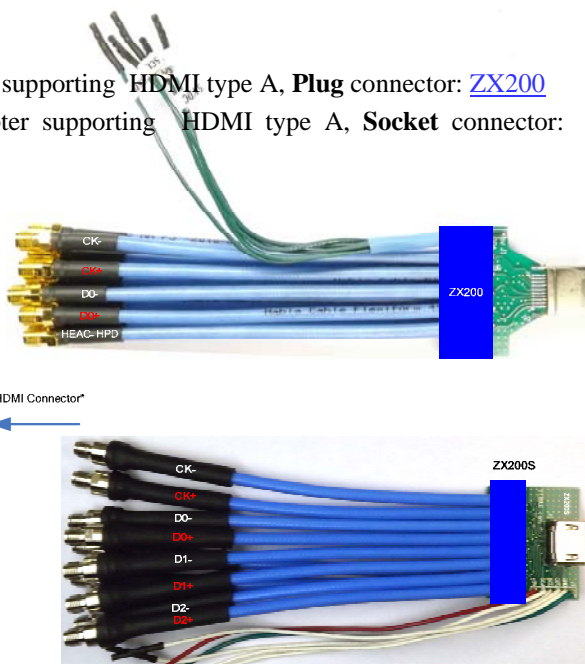
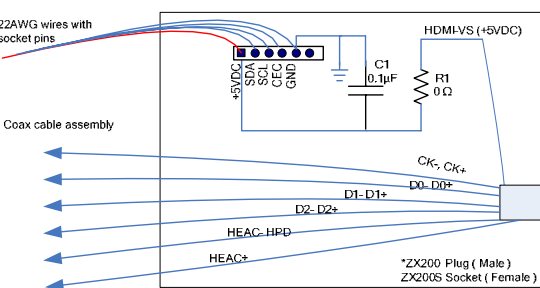
Application: Testing, bringup, characterization, HDMI pre-compliance test

ZX200 ZX200S

HDMI TPA-P TDR electrical breakout adapter supporting HDMI type A, **Plug** connector: **ZX200**

HDMI TPA-R TDR electrical breakout adapter supporting HDMI type A, **Socket** connector: **ZX200S**

Circuit Diagram

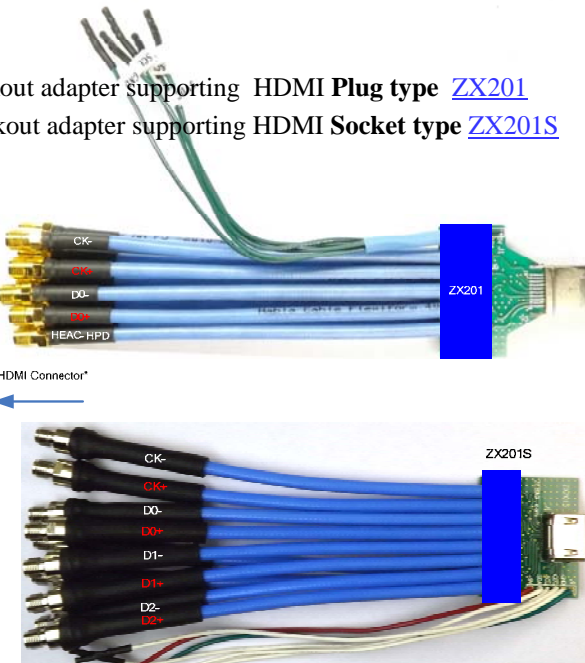
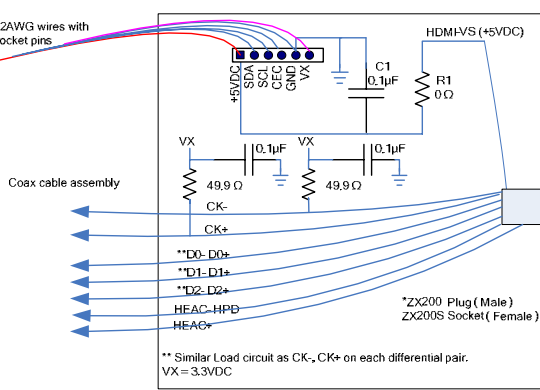


ZX201 ZX201S

HDMI TPA-P SE or TPA-P-DI electrical breakout adapter supporting HDMI **Plug** type **ZX201**

HDMI TPA-R SE or TPA-R-DI electrical breakout adapter supporting HDMI **Socket** type **ZX201S**

Circuit Diagram



ZX201L ZX201SL Lecroy dedicated modules

With built-in TF-HDMI-3.3 into the breakout modules, **ZX201L** and **ZX201SL** provide complete solution to Plug and Socket HDMI electrical measurements lab tools.

ZX201L is HDMI Plug -HDMI TPA-P SE or TPA-P-DI electrical breakout adapter

ZX201SL is HDMI Socket—HDMI TPA-P SE or TPA-P-DI electrical breakout adapter

Circuit Diagram

