

Product Name: ZX000x04xx 50 Ohms RG405 0.086" Semi-Flexible High Speed SMA to SMP Plug cable assembly

Product Description: High Speed 50 Ohms 24 AWG (2.2mm) 0.086" diameter RG405 semi-flexible SMA to SMP-Plug (SMP Male) cable assembly.

Cable length: 8 inches (20cm)

Insertion loss:
< -0.45dB @ 10GHz

SMA mates with counterpart, please see ordering information.
SMP connector mates with any standard SMP Jack (Female) – The cable assembly holds SMP Plug, the counterpart will plug into this connector.

Application: General high speed testing needs requiring absolute minimum insertion loss. DC-20GHz
CSI, DSI, HDMI, DP USB 3.1 signal measurements

Mates with : SMP Jack (SMP female)
SMA connector mates with standard SMA connector, please see ordering information.

Coax Cable information:

Type: RG405
Material: Silver plated copper
Dielectric: PTFE 1.68
Outer Conductor: Blue coating over Spiral Wrapped Silver Plated Copper Tape + Silver Plated Copper Barid
Attenuation: ([B/m]: 0.72dB [< 3.4dB/meter @ 18GHz]
Impedance: 50 Ohms
Dielectric Constant (dk): 2.1
Current rating: 5A
Capacitance: 95pF/meter
Minimum bend radius (MBR): single bend: 6mm
multiple bends 25mm
Temperature rating: -65°C / +165°C
Flammability: UL 94 V-0
Flame resistance: compliance with IEC 60332-3-24

SMA / SMP Connector:

Type: 35u" GOLD PLATED AT pin
BRASS with Gold finish 5u" on RING
Insulator: PTFE

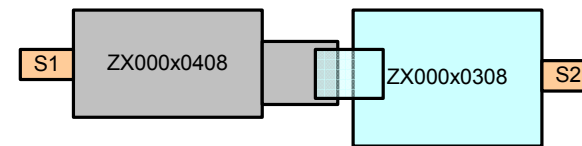
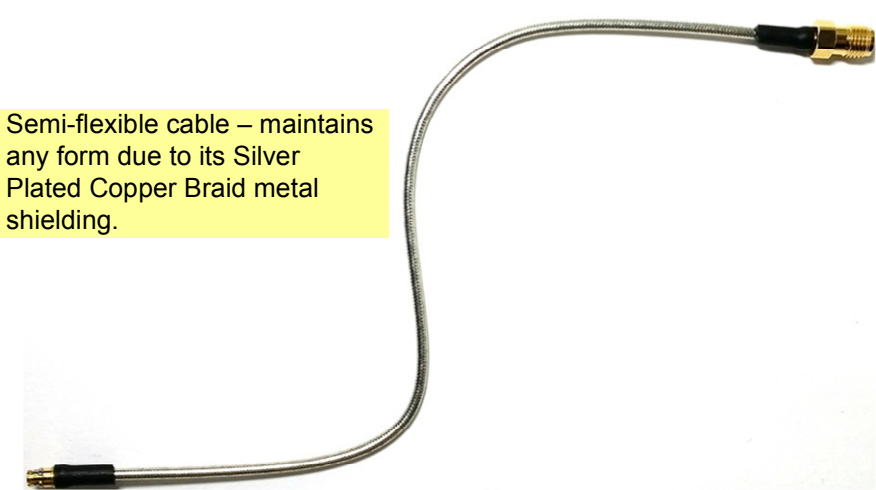
Notice

ALL ZEBAX TECHNOLOGIES DESIGN SPECIFICATIONS, DRAWINGS, PUBLICATIONS, AND OTHER DOCUMENTS (TOGETHER AND SEPARATELY, "MATERIALS") ARE BEING PROVIDED "AS IS." ZEBAX MAKES NO WARRANTIES, EXPRESSED, IMPLIED, STATUTORY, OR OTHERWISE WITH RESPECT TO THE MATERIALS, AND EXPRESSLY DISCLAIMS ALL IMPLIED WARRANTIES OF NO INFRINGEMENT, MERCHANTABILITY, AND FITNESS FOR A PARTICULAR PURPOSE.

Information furnished is believed to be accurate and reliable. However, Zebax Technologies assumes no responsibility for the consequences of use of such information or for any infringement of patents or other rights of third parties that may result from its use. Specifications mentioned in this publication are subject to change without notice. This publication replaces all other information previously supplied. Zebax Technologies products are not authorized as in life support devices or systems.



Semi-flexible cable – maintains any form due to its Silver Plated Copper Braid metal shielding.

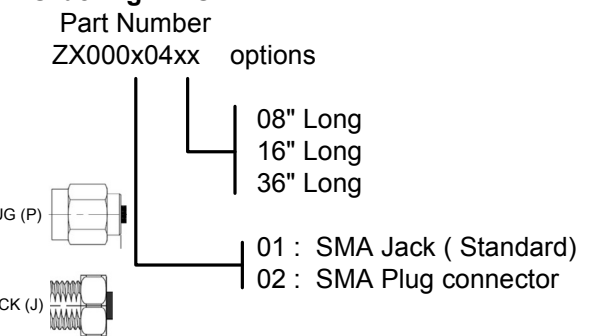


Test network : ZX000x0408 Plug and ZX000x0308 via the SMA connectors
S1 in → S2 Out

S-Parameter, Insertion loss: ZX000x0408 exhibits unprecedented insertion loss. The following data is obtained from actual ZX000x0408 SMA SMP cable assembly using network analyzer. The S-Parameter is obtained using ZX000x0408-J and ZX000x0308-J combination of Plug and Socket (Receptacle) SMP cable assemblies.

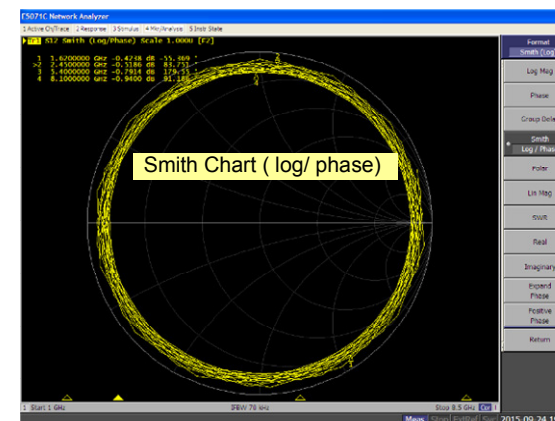
S-Parameter files: Please download the S-Parameter files, .s4p files for the ZX000x0408 networks from here :
ZX000x0408 SMA to SMP cable assembly: [ZX000x0408-S-Parameter](#)

Ordering INFO:



Note
ALL ZEBAX products are RoHS compliant and Lead Free unless otherwise indicated.

Test reports using network analyzer for 8" cable assembly



ZEBAX TECHNOLOGIES
SANTA CRUZ, CA U.S.A (8 3 1) 2 2 2 - 0 7 1 7
WWW.ZEBAX.COM

SPECIFIED DIMENSIONS ARE INCHES (MM). ROHS COMPLIANT	ASSEMBLY DRAWING ITEM: ZX000x04xx
DESCRIPTION: SMA to SMP Plug 50 Ohms RG405 high speed coax cable assembly	
CHECKED: M. MARINA	DRAWN: SLAVIK
REVISION: 1.0 SHEET: 1 OF 1	