

**Product Name:** ZX050-SOD523(SC-79) SOD523 (SC-79) breakout adapter SMA

**Product Description:** SOD523 (SC-79) Breakout Adapter enabling characterization, functional testing of ANY SOD523 ( SC-79) packaged device using 50 Ω ( Ohms ) 35μ gold plated SMA connectors as access point. Designed in 4 layer PCBoard with improved signal integrity and crosstalk.

Ideal evaluation, bringup, and testing of any discrete component such as ESD diode using SOD523 (SC-79 ) footprint package.

Available GND test point for ease of accessing inner GND layers along with top and bottom GND fills.

**Application:** Bringup, Characterization, testing, development, modular design evaluations

**Target DUT :** Designed specifically for any SOD523 (SC-79) SMD device with SMA connector access

**Pitch:** Standard SOD523 (SC-79) SMD package or equivalent

**Headers:** Ground access test point (GND) - 0.025" SQ with 0.32" (5.6mm) post height

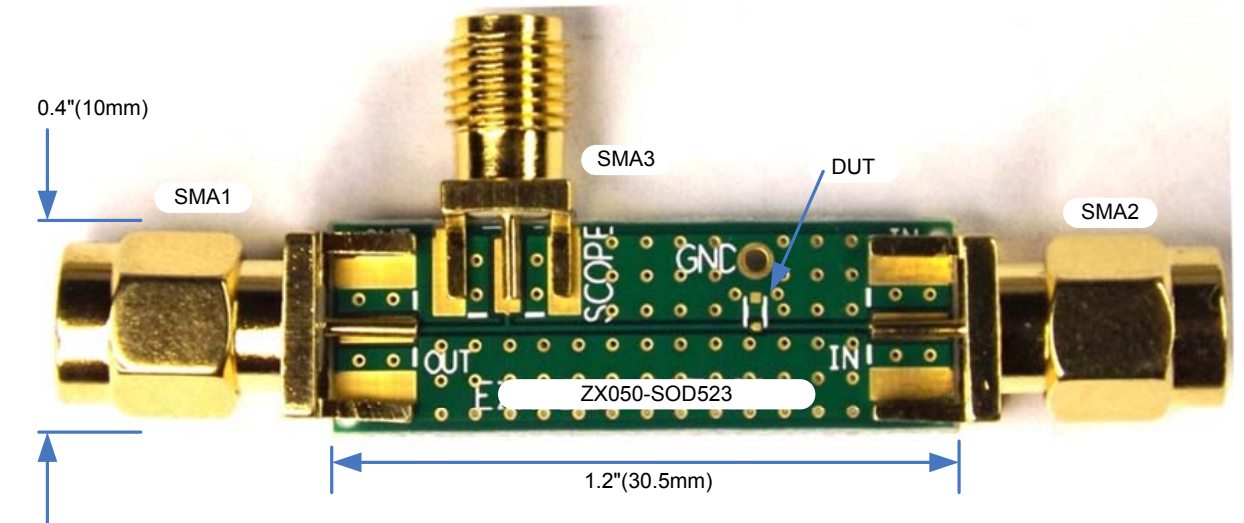
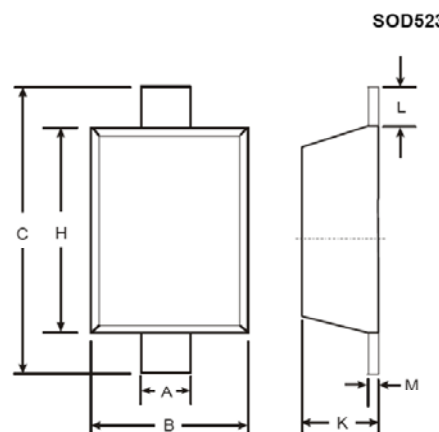
**DUT landing pads:** Surface Mount package – 2 terminal – Body 1.65x0.85mm (Length Width ) or equivalent

**DIMENSIONS ( mm )**

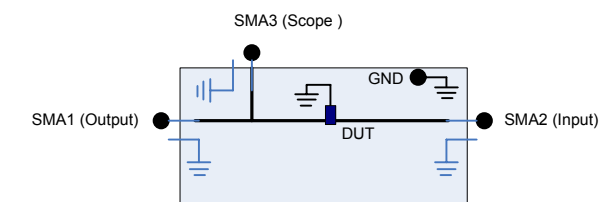
UNIT		A	B	C	H	L
mm	max	0.35	0.90	1.70	1.30	0.30
	min	0.25	0.70	1.50	1.10	0.10

OUTLINE Version	REFERENCES			
	IEC	JEDEC	JEITA	
SOD523			SC-79	

**SMA:**  
 Impedance: 50Ω  
 Temp Range: -65°C +165°C  
 Vibration: MIL-STD-202, Method 213  
 Frequency Range: DC – 12GHz  
 Working Voltage: 335V max  
 Withstand Voltage: 1000V rms  
 Center Contact: ≤3mΩ  
 Outer Contact: ≤2mΩ  
 Insulation resistance: ≥5000MΩ  
 VSWR Straight: ≤1.15 ( 0.8-2.5G)



**Simplified Block Diagram:**

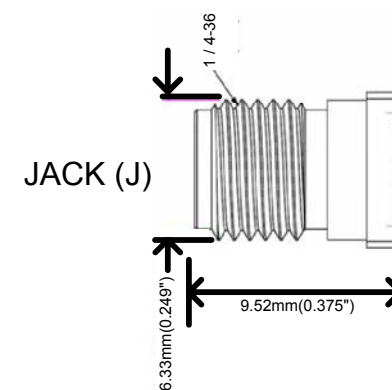
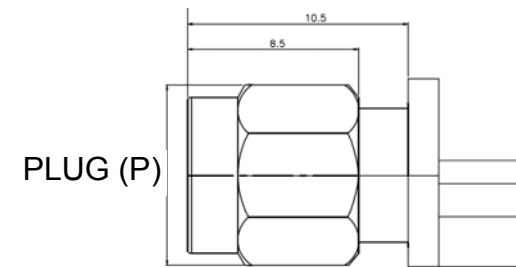


Ordering INFO:

SMA  
 Part Number 1 2 3  
 ZX050-SOD523- J J J  
 ZX050-SOD523- P P J  
 ZX050-SOD523- X X X

-XXX orders, please specify the required SMA type connectors when ordering as "the instruction" or "Note".

**NOTE:** ZX050-SOD523 is shipped without DUT. Zebax offers **FREE DUT installation for any order.** Please email for instructions.



Note  
 ALL ZEBAX products are RoHS compliant and Lead Free unless otherwise indicated.

<b>ZEBAX TECHNOLOGIES</b> SANTA CRUZ, CA U.S.A (831) 2 2 2 - 0717 WWW.ZEBAX.COM		
SPECIFIED DIMENSIONS ARE INCHES (MM). ROHS COMPLIANT	ASSEMBLY DRAWING	
	ITEM: ZX050-SOD523 (SC-79)	
DESCRIPTION: SOD523 (SC79) breakout adapter SMA		
CHECKED: M. MARINA	DRAWN: SLAVIK	REVISION: 1.0 SHEET: 1 OF 1

**Notice**  
 ALL ZEBAX TECHNOLOGIES DESIGN SPECIFICATIONS, DRAWINGS, PUBLICATIONS, AND OTHER DOCUMENTS (TOGETHER AND SEPARATELY, "MATERIALS") ARE BEING PROVIDED "AS IS." ZEBAX MAKES NO WARRANTIES, EXPRESSED, IMPLIED, STATUTORY, OR OTHERWISE WITH RESPECT TO THE MATERIALS, AND EXPRESSLY DISCLAIMS ALL IMPLIED WARRANTIES OF NO INFRINGEMENT, MERCHANTABILITY, AND FITNESS FOR A PARTICULAR PURPOSE.  
 Information furnished is believed to be accurate and reliable. However, Zebax Technologies assumes no responsibility for the consequences of use of such information or for any infringement of patents or other rights of third parties that may result from its use. Specifications mentioned in this publication are subject to change without notice. This publication replaces all other information previously supplied. Zebax Technologies products are not authorized as in life support devices or systems.