

Product Name: ZX050-PD246812 Pull Down SMD breakout adapter - packages EIA 0201, 0402, 0603, 0805, 1206

Product Description: Breakout Adapter enabling characterization, functional testing of **ANY** of the listed surface mount devices using 50 Ω (Ohms) 35μ gold plated SMA connectors as access point. Designed in 4 layer PCBoard with improved signal integrity and crosstalk.

SMD 0201 DFN0603-2
 SMD 0402 DFN1006-2
 SMD 0603
 SMD 0805
 SMD 1206

Ideal evaluation, bringup, and testing of any discrete component such as ESD diode, Resistor, Capacitor, LED, or Diode using the above listed footprint package.

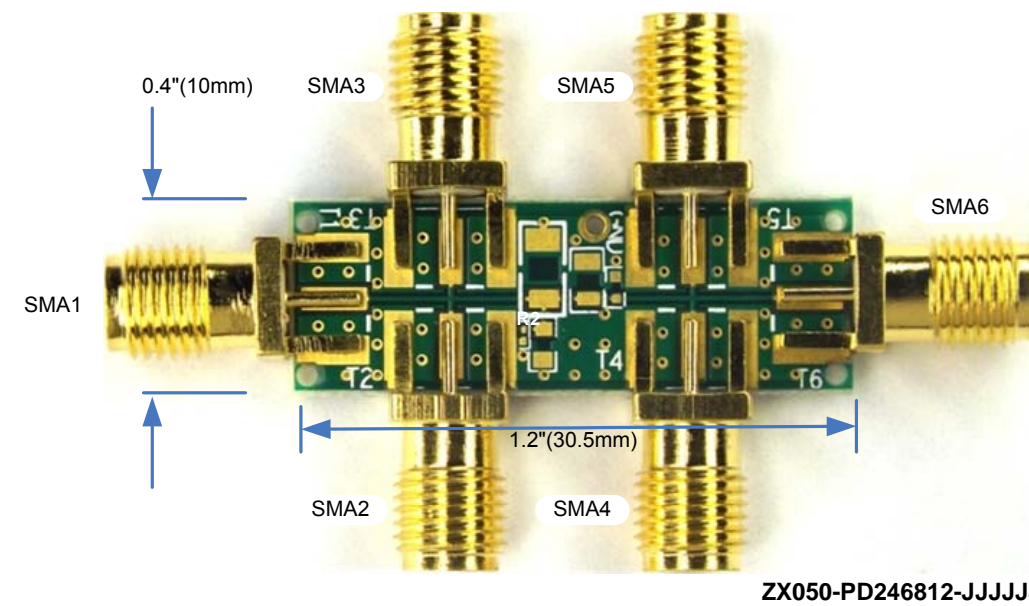
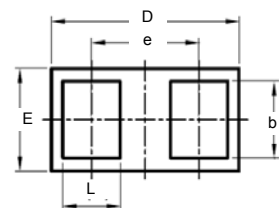
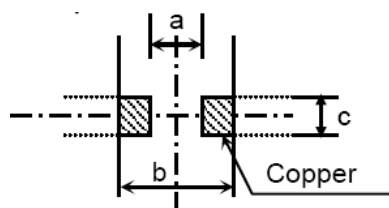
Available GND test point for ease of accessing inner GND layers along with top and bottom GND fills.

Application: Bringup, Characterization, testing, development, modular design evaluations
Target DUT : Designed specifically for any of the listed SMD devices with SMA connectors access
Pitch: Standard EIA 0201, 0402, 0603, 0805, and 1206 SMD package or equivalent
Headers: Ground access test point (GND) - 0.025" SQ with 0.32" (5.6mm) post height
DUT landing pads: Surface Mount, 2 pin packages – EIA 0201 0402 0603 0805 1206 or equivalent

SMA:
 Impedance: 50Ω
 Temp Range: -65°C +165°C
 Vibration: MIL-STD-202, Method 213
 Frequency Range: DC – 12GHz
 Working Voltage: 335V max
 Withstand Voltage: 1000V rms
 Center Contact: ≤3mΩ
 Outer Contact: ≤2mΩ
 Insulation resistance: ≥5000MΩ
 VSWR Straight: ≤1.15 (0.8-2.5G)

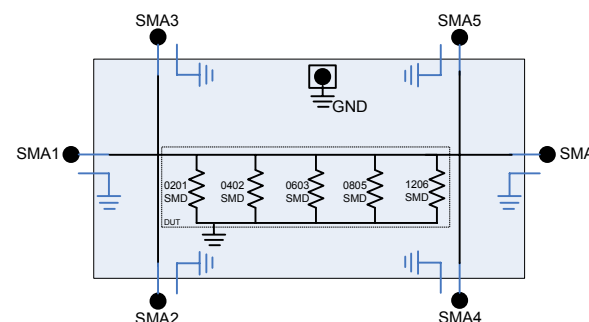
DIMENSIONS (mm)				
Case Code		a	b	c
JIS	EIA			
0603	0201	0.30	0.80	0.30
1005	0402	0.40	1.50	0.50
1608	0603	1.00	3.00	1.20
2012	0805	1.20	4.00	1.65
3216	1206	2.20	5.00	1.65

DIMENSIONS (mm)					
Package		D	E	e	L
DFN0603-2	max	0.645	0.345		0.240
	Typical	0.620	0.320	0.355	0.190
	min	0.595	0.295		0.140
DFN1006-2	max	1.000	0.550		0.300
	Typical	0.545	0.500	0.650	0.250
	min	0.520	0.450		0.200



Simplified Block Diagram:

NOTE: Device Under Test , DUT, is represented by resistor's symbol in the block diagram. Any device with the listed standard package can be used instead.



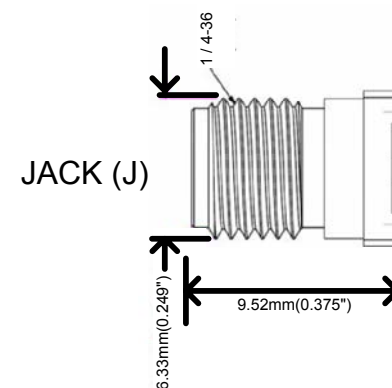
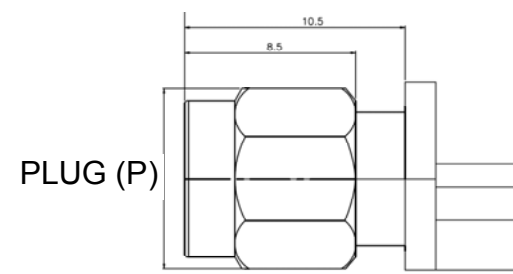
Ordering INFO:

SMA
 Part Number 1 2 3 4 5 6
 ZX050-PD246812- J J J J J J
 ZX050-PD246812- P J J J J P
 ZX050-PD246812- X X X X X X

-XXXXXX orders, please specify the required SMA type connectors when ordering as "the instruction" or Note"

NOTE: ZX050-PD246812 is shipped without DUT.
Zebax offers FREE DUT installation for any order.
 Please email for instructions

Note
 ALL ZEBAX products are RoHS compliant and Lead Free unless otherwise indicated.



Notice

ALL ZEBAX TECHNOLOGIES DESIGN SPECIFICATIONS, DRAWINGS, PUBLICATIONS, AND OTHER DOCUMENTS (TOGETHER AND SEPARATELY, "MATERIALS") ARE BEING PROVIDED "AS IS." ZEBAX MAKES NO WARRANTIES, EXPRESSED, IMPLIED, STATUTORY, OR OTHERWISE WITH RESPECT TO THE MATERIALS, AND EXPRESSLY DISCLAIMS ALL IMPLIED WARRANTIES OF NO INFRINGEMENT, MERCHANTABILITY, AND FITNESS FOR A PARTICULAR PURPOSE.

Information furnished is believed to be accurate and reliable. However, Zebax Technologies assumes no responsibility for the consequences of use of such information or for any infringement of patents or other rights of third parties that may result from its use. Specifications mentioned in this publication are subject to change without notice. This publication replaces all other information previously supplied. Zebax Technologies products are not authorized as in life support devices or systems.

ZEBAX TECHNOLOGIES SANTA CRUZ, CA U.S.A (831) 2 2 2 - 0717 WWW.ZEBAX.COM		
SPECIFIED DIMENSIONS ARE INCHES (MM). ROHS COMPLIANT		ASSEMBLY DRAWING ITEM: ZX050-PD246812
DESCRIPTION: EIA 0201 402 0603 0805 1206 breakout adapter SMA		
CHECKED: M. MARINA	DRAWN: SLAVIK	REVISION: 1.0 SHEET: 1 OF 1