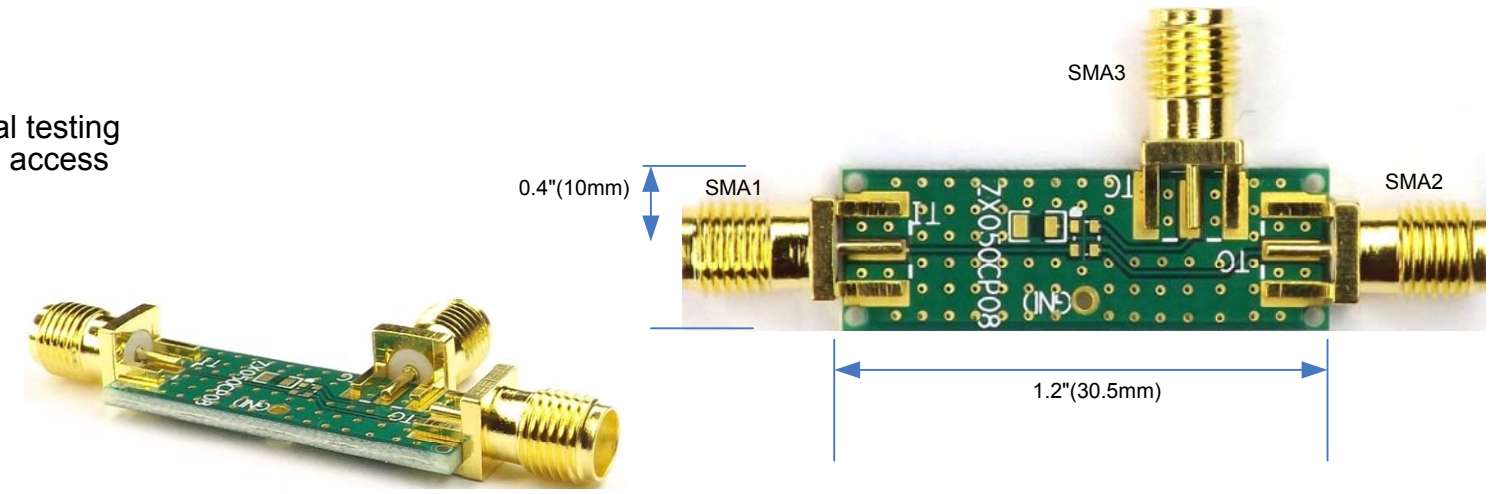


Product Name: ZX050-DB0805 Directional Coupler DB0805 breakout Adapter SMA

Product Description: General purpose directional coupler Breakout Adapter enabling characterization, functional testing of ANY DB0805 package device using 50 Ω (Ohms) 35μ gold plated SMA connectors as access point. Designed in 4 layer PCBoard with improved signal integrity and crosstalk.

Ideal evaluation, bringup, and testing of ANY coupler using DB0805 footprint packages.

Available GND test point header for system ground reference.



Application: Bringup, Characterization, testing, development, modular design evaluations

Target DUT : Designed specifically for use with DB0805 SMD devices with SMA connector access

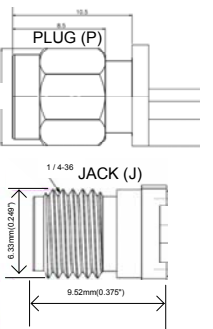
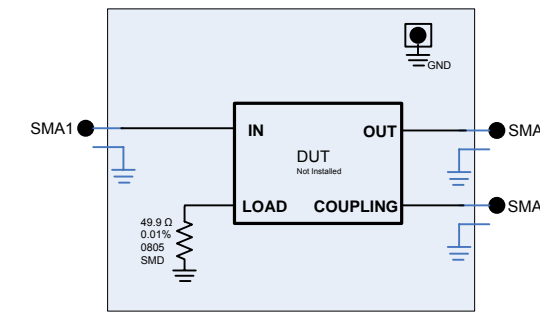
Pitch: DB0805 SMD package or equivalent

Headers: Ground test point - 0.025" SQ with 0.32" (5.6mm) post height

DUT Package: Surface Mount, 4 pin package –

SMA:
 Impedance: 50Ω
 Temp Range: -65°C +165°C
 Vibration: MIL-STD-202, Method 213
 Frequency Range: DC – 12GHz
 Working Voltage: 335V max
 Withstand Voltage: 1000V rms
 Center Contact: ≤3mΩ
 Outer Contact: ≤2mΩ
 Insulation resistance: ≥5000MΩ
 VSWR Straight: ≤1.15 (0.8-2.5G)

Simplified Block Diagram:



DIMENSIONS (mm)

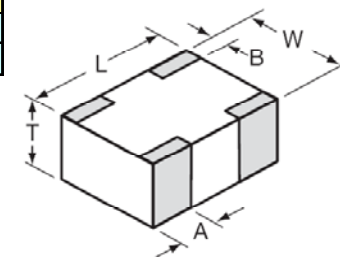
Package	UNIT	A	B	L	T	W
DB0805	max	0.81	0.50	2.13	1.13	1.65
	Typical	0.56	0.35	2.03	0.98	1.55
	min	0.31	0.20	1.93	0.83	1.45
DFN-4-0805	max	0.81	0.50	2.13	1.13	1.65
	Typical	0.56	0.35	2.03	0.98	1.55
	min	0.31	0.20	1.93	0.83	1.45

Ordering INFO:

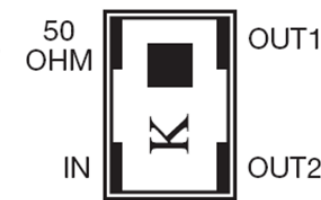
SMA1	SMA2	SMA3	Part Number
Jack	Jack	Jack	ZX050-DB0805-JJJ
Plug	Jack	Plug	ZX050-DB0805-PJP
Customer requirement			ZX050-DB0805-XXX

OUTLINE Version	REFERENCES			
	IEC	JEDEC	JEITA	
DB0805				
DFN-4-0805				

Bottom View



Top View

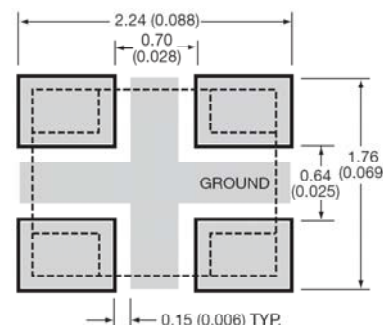


-XXX orders, please specify type of SMA for placement of SMA1, 2, and 3 when ORDERING

NOTE: ZX050-DB0805 is shipped without DUT. Zebax offers FREE DUT installation for any order. Please email for instructions

Note
ALL ZEBAX products are RoHS compliant and Lead Free unless otherwise indicated.

PCB Pad Layout Dimensions mm(inches)



Notice

ALL ZEBAX TECHNOLOGIES DESIGN SPECIFICATIONS, DRAWINGS, PUBLICATIONS, AND OTHER DOCUMENTS (TOGETHER AND SEPARATELY, "MATERIALS") ARE BEING PROVIDED "AS IS." ZEBAX MAKES NO WARRANTIES, EXPRESSED, IMPLIED, STATUTORY, OR OTHERWISE WITH RESPECT TO THE MATERIALS, AND EXPRESSLY DISCLAIMS ALL IMPLIED WARRANTIES OF NO INFRINGEMENT, MERCHANTABILITY, AND FITNESS FOR A PARTICULAR PURPOSE.

Information furnished is believed to be accurate and reliable. However, Zebax Technologies assumes no responsibility for the consequences of use of such information or for any infringement of patents or other rights of third parties that may result from its use. Specifications mentioned in this publication are subject to change without notice. This publication replaces all other information previously supplied. Zebax Technologies products are not authorized as in life support devices or systems.

ZEBAX TECHNOLOGIES
 SANTA CRUZ, CA U.S.A (831) 222-0717
 WWW.ZEBAX.COM

SPECIFIED DIMENSIONS ARE INCHES (MM). ROHS COMPLIANT	ASSEMBLY DRAWING	
	ITEM: ZX050-DB0805	
DESCRIPTION: DB0805 Directional Coupler breakout adapter SMA		
CHECKED: M. MARINA	DRAWN: SLAVIK	REVISION: 1.0
		SHEET: 1 OF 1