

Product Name: ZX050-CP0402 Directional Coupler CP0402 breakout Adapter SMA

Product Description: General purpose directional coupler Breakout Adapter enabling characterization, functional testing of ANY CP0402 SMD package device using 50 Ω (Ohms) 35μ gold plated SMA connectors as access point. Designed in 4 layer PCBoard with improved signal integrity and crosstalk.

Ideal evaluation, bringup, and testing of ANY coupler using CP0402 footprint packages.

Available GND test point header for system ground reference.

Application: Bringup, Characterization, testing, development, modular design evaluations

Target DUT : Designed specifically for use with CP0402 SMD devices with SMA connector access

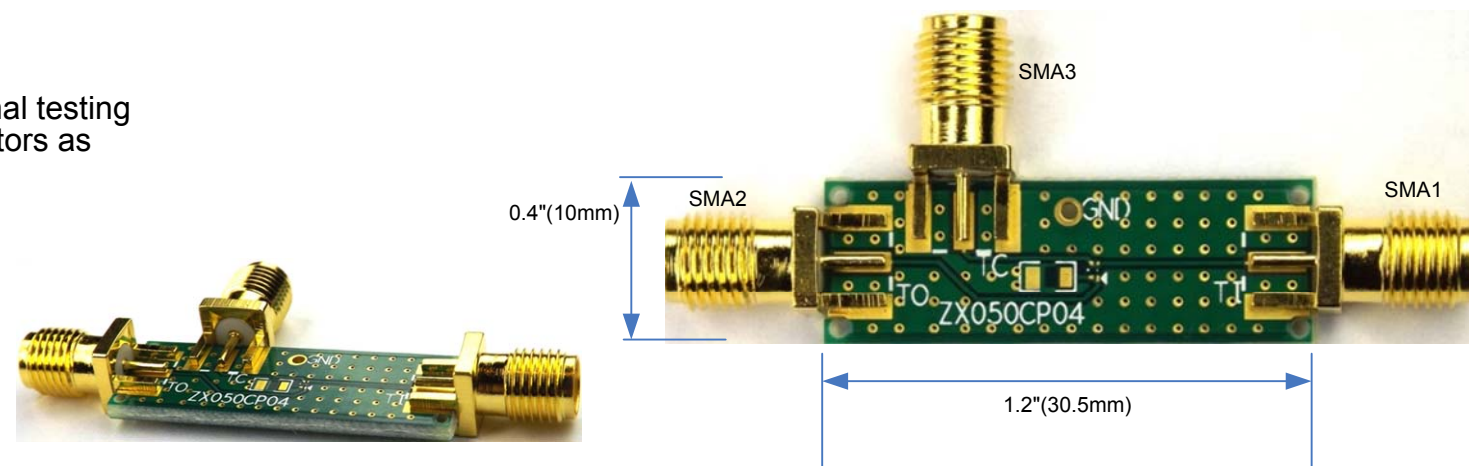
Pitch: CP0402 SMD package or equivalent

Headers: Ground test point - 0.025" SQ with 0.32" (5.6mm) post height

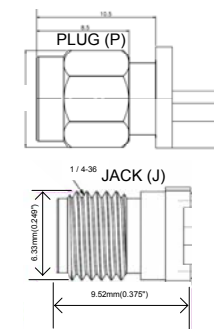
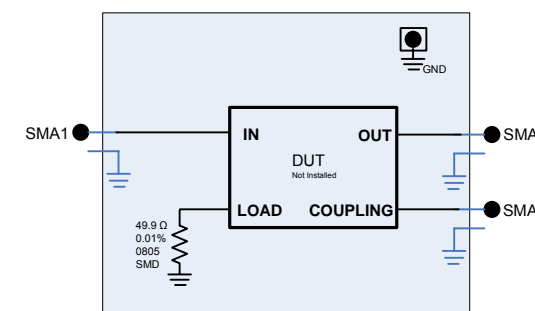
DUT Package: Surface Mount, 4 pin package –

SMA:

- Impedance: 50Ω
- Temp Range: -65°C +165°C
- Vibration: MIL-STD-202, Method 213
- Frequency Range: DC – 12GHz
- Working Voltage: 335V max
- Withstand Voltage: 1000V rms
- Center Contact: ≤3mΩ
- Outer Contact: ≤2mΩ
- Insulation resistance: ≥5000MΩ
- VSWR Straight: ≤1.15 (0.8-2.5G)



Simplified Block Diagram:

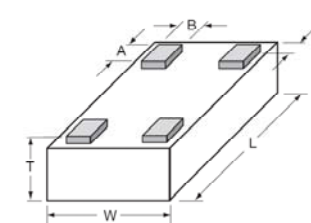


DIMENSIONS (mm)

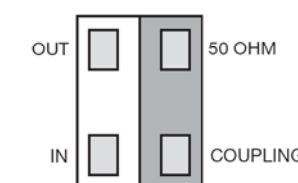
Package	UNIT	A	B	L	S	T	W
CP0402	max	0.25	0.23	1.05	0.10	0.40	0.62
	Typical	0.20	0.18	1.00	0.05	0.35	0.58
	min	0.15	0.13	0.95	0.00	0.30	0.54
DFN-4-0402	max	0.25	0.23	1.05	0.10	0.40	0.62
	Typical	0.20	0.18	1.00	0.05	0.35	0.58
	min	0.15	0.13	0.95	0.00	0.30	0.54

OUTLINE Version	REFERENCES			
	IEC	JEDEC	JEITA	
CP0402				
DFN-4-0402				

Bottom View



Top View



Ordering INFO:

SMA1	SMA2	SMA3	Part Number
Jack	Jack	Jack	ZX050-CP0402-JJJ
Plug	Jack	Plug	ZX050-CP0402-PJP
		Customer requirement	ZX050-CP0402-XXX

-XXX orders, please specify type of SMA for placement of SMA1, 2, and 3 when ORDERING

NOTE: ZX050-CP0402 is shipped without DUT. Zebax offers FREE DUT installation for any order. Please email for instructions

Note
ALL ZEBAX products are RoHS compliant and Lead Free unless otherwise indicated.

ZEBAX TECHNOLOGIES
 SANTA CRUZ, CA U.S.A (831) 222-0717
 WWW.ZEBAX.COM

SPECIFIED DIMENSIONS ARE INCHES (MM). ROHS COMPLIANT	ASSEMBLY DRAWING	
	ITEM: ZX050-CP0402	
DESCRIPTION: CP0402 Directional Coupler breakout adapter SMA		
CHECKED: M. MARINA	DRAWN: SLAVIK	REVISION: 1.0
		SHEET: 1 OF 1

Notice

ALL ZEBAX TECHNOLOGIES DESIGN SPECIFICATIONS, DRAWINGS, PUBLICATIONS, AND OTHER DOCUMENTS (TOGETHER AND SEPARATELY, "MATERIALS") ARE BEING PROVIDED "AS IS." ZEBAX MAKES NO WARRANTIES, EXPRESSED, IMPLIED, STATUTORY, OR OTHERWISE WITH RESPECT TO THE MATERIALS, AND EXPRESSLY DISCLAIMS ALL IMPLIED WARRANTIES OF NO INFRINGEMENT, MERCHANTABILITY, AND FITNESS FOR A PARTICULAR PURPOSE.

Information furnished is believed to be accurate and reliable. However, Zebax Technologies assumes no responsibility for the consequences of use of such information or for any infringement of patents or other rights of third parties that may result from its use. Specifications mentioned in this publication are subject to change without notice. This publication replaces all other information previously supplied. Zebax Technologies products are not authorized as in life support devices or systems.