

Product Name: ZX201SL Lecroy TF-HDMI-3.3V TPA-R TDR -SE -DI test breakout adapter Type A C and D

Product Description: HDMI TPA-R TDR -SE -DI test breakout adapter board designed for use with **Lecroy** oscilloscope without requiring any external filters. ZX201SL includes traditional external filters, **TF-HDMI-3.3V**, that is required for HDMI electrical test measurements when using **Lecroy** test tools. HDMI TPA-R TDR -SE -DI designed for clock jitter, eye diagram and full electrical test measurements. ZX201SL electrically exceeds stringent requirement of extended video format 4K x 2K at 297MHz signal bandwidth. Requires minimum 8GHz / 12GHz scope (1080p / 4K) for proper clock jitter, skew, eye diagram and electrical test measurements.

ZX201SL is offered in 3 different HDMI connector type as well as offering SMA connectors type (Plug or Jack) interfacing with test tools (**Lecroy**, Agilent, Tektronix)

Available EDID accessible signals via the supplied wire assemblies for interfacing with ZX202 or similar

4K x 2K (a.k.a. 3840x 2160 or 4096 x 2160 or 2160p) at 297MHz - see HDMI Video format Identification Code – [ZXAN-HDMI-VIC](#)

Application: Electrical test, Clock Jitter measurement, eye diagram, characterization test, full electrical test - certification

Mates with : **HDMI type A C and D Socket** connectors, please see ordering information
SMA connectors mates with standard SMA cable assembly , please see ordering information
Wire assembly 0.025" (0.63mm) SQ pin socket mating with post header length 0.23" (5.83mm)

Test reports: Using HDMI test procedure, test results using ZX200 on Source DUT:
HDMI 4K x 2K @ 297MHz HDMI_1080p

Test procedure: [ZXAN-HDMI-Test-Procedure](#) application note provides HDMI test procedure.

Pinouts: HDMI Plug, J1 (EDID) signal assignments listed below

Pin	HDMI Connector type		
	Type A	Type C (mini)	Type D (micro)
1	TXD2P	GND	HOTPLUG/ HEAC-
2	GND	TXD2P	RSV / HEAC+
3	TXD2N	TXD2N	TXD2P
4	TXD1P	GND	GND
5	GND	TXD1P	TXD2N
6	TXD1N	TXD1N	TXD1P
7	TXD0P	GND	GND
8	GND	TXD0P	TXD1N
9	TXD0N	TXD0N	TXD0P
10	TXCP	GND	GND
11	GND	TXCP	TXD0N
12	TXCN	TXCN	TXCP
13	CEC	GND	GND
14	RSV / HEAC+	CEC	TXCN
15	DDC_SCL	DDC_SCL	CEC
16	DDC_SDA	DDC_SDA	GND
17	GND	RSV / HEAC+	DDC_SCL
18	+5V	+5V	DDC_SDA
19	HOTPLUG / HEAC-	HOTPLUG / HEAC-	+5V

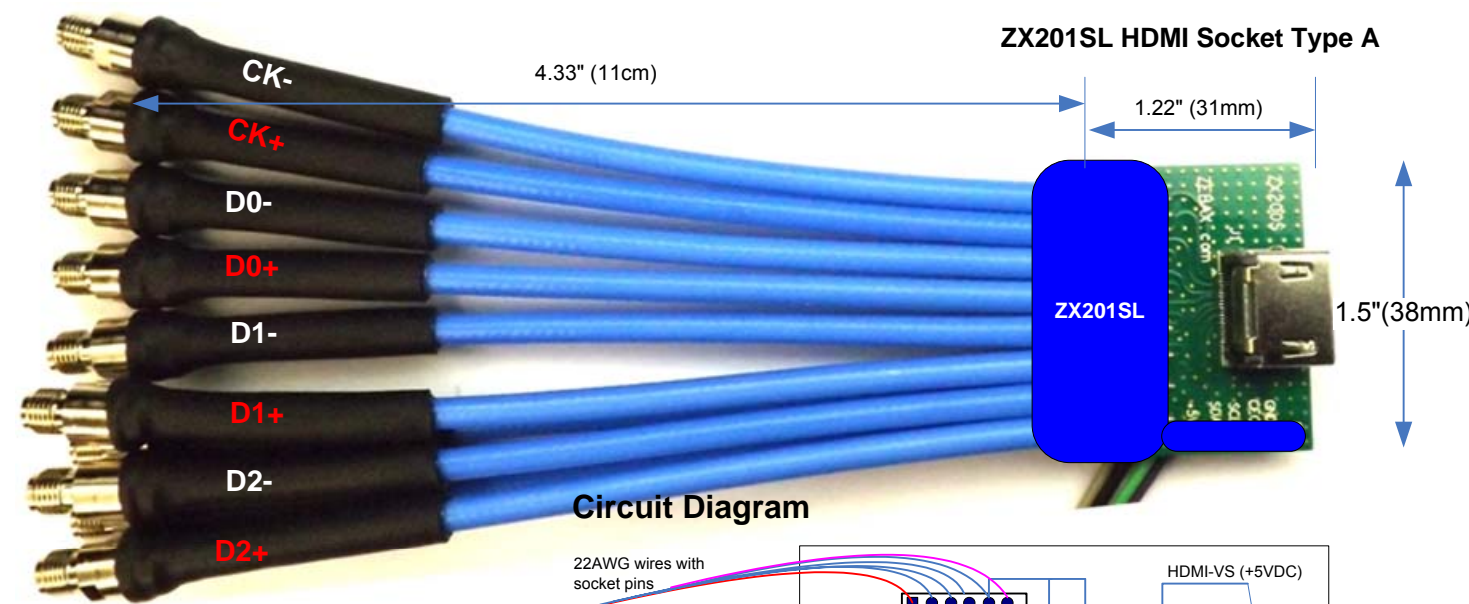
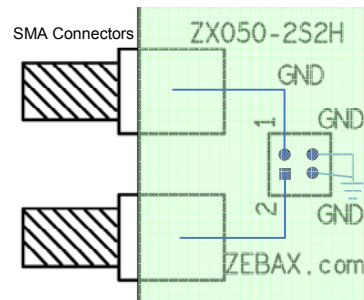
J1	
Pin	Function
1	+5VDC
2	DDC_SDA
3	DDC_SCL
4	CEC
5	GND
6	VX

Package includes:

Part number	Quantity	Description
ZX201SL-X-X	1	HDMI module
ZX050-2S2H-P / - J	2	Differential or single SMA to Header
ZX00SMAH-P / S	2	SMA to 2 pin header, Note 1
ZX00WAPS	2	Wire assembly – Pin to Socket adapter, Note 2
ZX00WA12K	1	Wire assembly with 1.2K Ω resistor, Note 3

Notes:

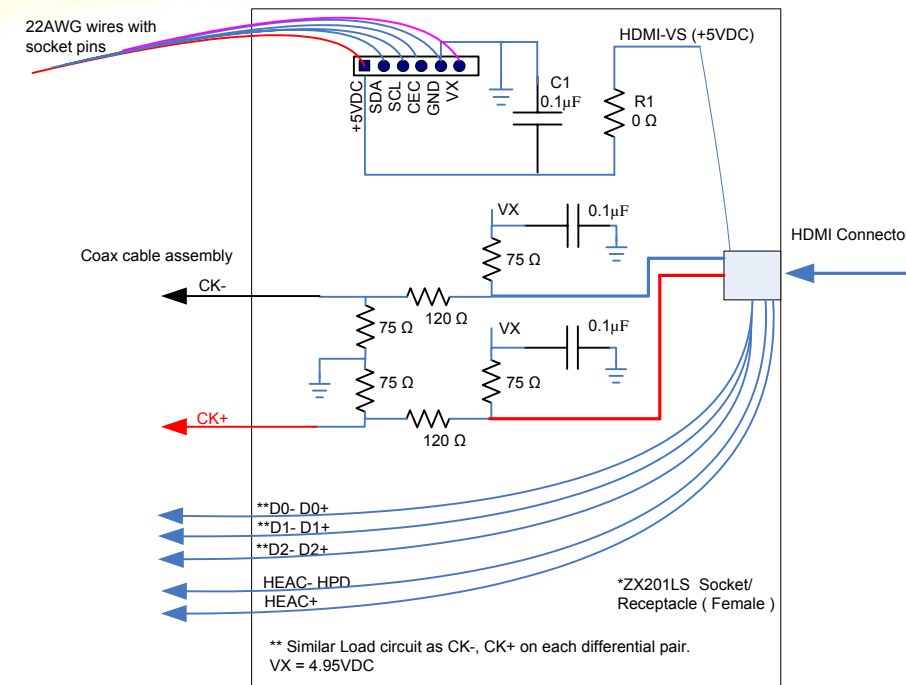
- Proper mating SMA cable assembly is shipped to mate with HEAC- / HEAC+ of the ZX201SL module. Example: ZX00SMAH-P is supplied with ZX201SL-J-A.
- Supplied extension wire assembly enabling to interface with 3rd party modules.
- Used for HOTPLUG Detect insertion – Please apply between HPD and +5VDC as this cable assembly include 1.2K Ω resistor



SMA Plug "P" option



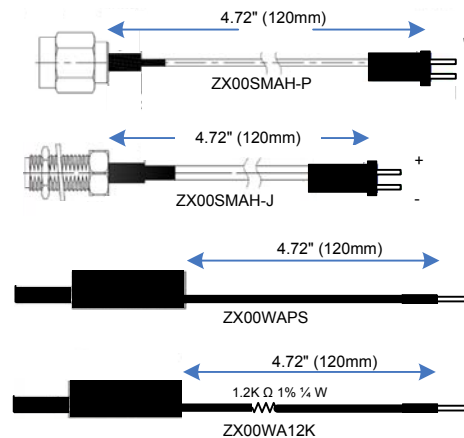
Circuit Diagram



Ordering INFO:

Part Number
ZX201SL-X-X options
A: Type A HDMI Connector (Std)
C: Type C HDMI Connector (mini)
D: Type D HDMI connector (micro)
J : SMA Jack (Standard)
P: SMA Plug connector

Note
ALL ZEBAX products are RoHS compliant and Lead Free unless otherwise indicated.



ZEBAX TECHNOLOGIES
SANTA CRUZ, CA U.S.A (831) 222-0717
WWW.ZEBAX.COM

SPECIFIED DIMENSIONS ARE INCHES (MM). ROHS COMPLIANT
ASSEMBLY DRAWING
ITEM: ZX201SL

DESCRIPTION: HDMI TPA-R TDR -SE -DI test breakout adapter Type A (STD) C (min) D (micro) TPA

CHECKED: M. MARINA
DRAWN: SLAVIK
REVISION: 1.0
SHEET: 1 OF 1

Notice

ALL ZEBAX TECHNOLOGIES DESIGN SPECIFICATIONS, DRAWINGS, PUBLICATIONS, AND OTHER DOCUMENTS (TOGETHER AND SEPARATELY, "MATERIALS") ARE BEING PROVIDED "AS IS." ZEBAX MAKES NO WARRANTIES, EXPRESSED, IMPLIED, STATUTORY, OR OTHERWISE WITH RESPECT TO THE MATERIALS, AND EXPRESSLY DISCLAIMS ALL IMPLIED WARRANTIES OF NO INFRINGEMENT, MERCHANTABILITY, AND FITNESS FOR A PARTICULAR PURPOSE.

Information furnished is believed to be accurate and reliable. However, Zebax Technologies assumes no responsibility for the consequences of use of such information or for any infringement of patents or other rights of third parties that may result from its use. Specifications mentioned in this publication are subject to change without notice. This publication replaces all other information previously supplied. Zebax Technologies products are not authorized as in life support devices or systems.