

Product Name: ZX200CPC-21 HDMI type C (mini) plug 1.4a 2.0 2.1 TPA-P TDR electrical breakout adapter

Product Description:

HDMI TPA-P TDR electrical test and measurement breakout adapter supporting Type C (mini) HDMI Plug connector. All 19 connector signals are accessible via SMA connector where each signal is provided with SMD 0402 footprint, enabling external load, ESD diode, scope probe or other application. Available GND test points interfacing to internal GND planes as well as top/bottom GND fills. The HDMI electrical breakout adapter is designed for application requiring HDMI Type C (mini) Plug connector interface for purpose of test and measurement. **ZX200CPC-21** HDMI breakout adapter covers 4K 1080p 720p 520p 480p at 50Hz 60Hz 100Hz and 120Hz operating at 2.97GHz (1.4a compliance) **5.94GHz (2.0 compliance)** bandwidth. ZX200CPC-21 HDMI electrical breakout adapter is designed for 16GHz bandwidth meeting requirement of extended video format 4K 60Hz 100Hz 120Hz and upcoming HDMI 2.1 specification supporting 8K signal bandwidth.

- Insertion loss: 6GHz : ≤ -3dB 8GHz : ≤ -4dB
- Multi-layer PCB design
- Designed for 16GHz bandwidth.
- Access to All 19 HDMI signals.
- Onboard SMD 0402 footprint, enabling apply of Load, ESD diode, scope probe or more.
- Access to internal GND planes as well as TOP/Bottom GND fills via GND Test Points
- Supports upcoming HDMI 2.1 specification supporting 8K signal bandwidth

**S-Parameter, Insertion loss:
See Page 2**

ZX200CPC-21 is offered supporting HDMI Type C Plug connector.

ZX200CPC-21 is offered with SMA cable assemblies interfacing directly to scope probe or test equipment.

- For proper signal measurements, please connect GND test point to system GND. The GND test points are connected to internal GND planes as well as TOP/Bottom GND fills.
- The HDMI connector's case may be connected to the module's GND planes by installing 0 Ω in R1, R2 locations. As default the connector's case is not connected to the module's GND planes.

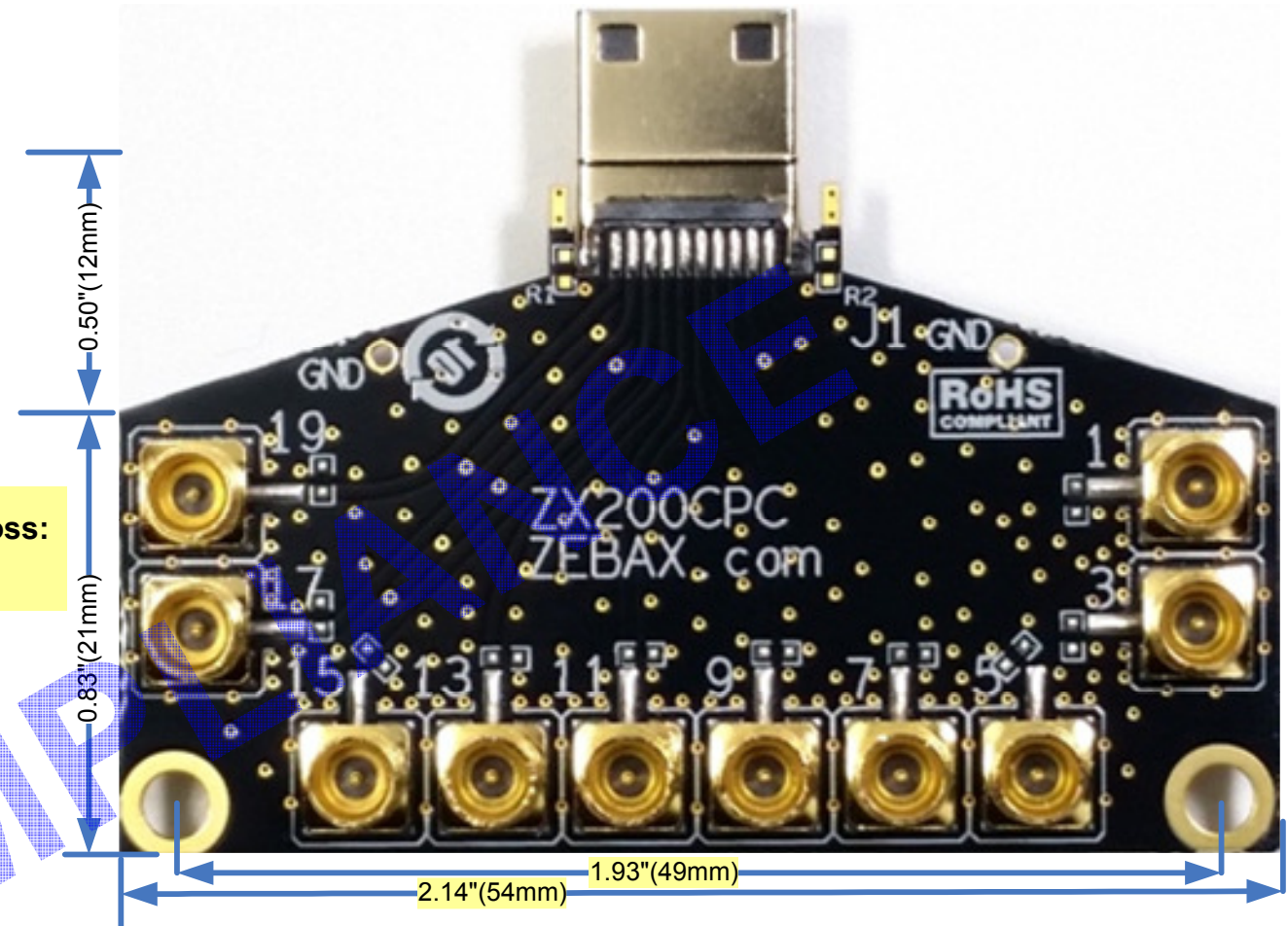
Zebax offer [ZX202HD](#) (EDID emulator) and [ZX200L508-HD](#) (HDMI Termination board) for application requiring EDID emulator or termination load module.

Application: Full HDMI 1.4a 2.0 2.1 electrical test and measurement. signal analysis, load / external device component testing.

Supported resolutions: Full HDMI 1.4a 2.0 is supported, including:
8K and 4K at 60Hz 100Hz 120Hz operating at 5.94GHz to 10GHz.
Supports upcoming HDMI 2.1 8K resolution 10GHz bandwidth.

Mates with : HDMI type C (mini) receptacle connector.
SMA connectors mates with standard SMA connector

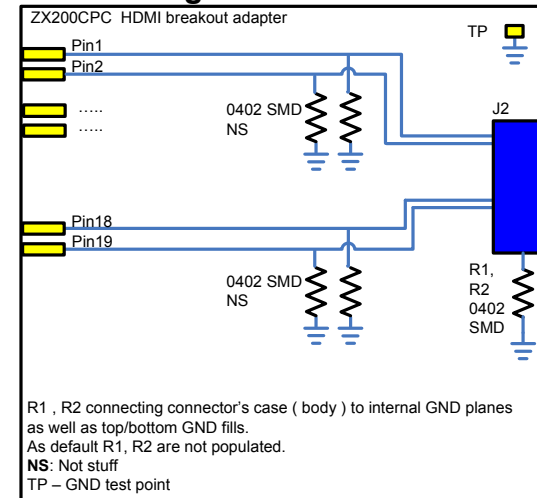
Access : ZX200CPC offers 0402 SMD footprints for all 19 HDMI connector signals. The reserved footprints are designed for signal test and measurements via scope probe, enabling Load, ESD diode, or other component / test signal.



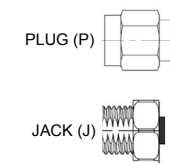
Package includes:

| Item | Part number | Quantity | Description |
|------|------------------|----------|---|
| 1 | ZX200CPC-21 | 1 | HDMI type C (mini) plug TPA-P electrical breakout adapter |
| 2 | ZX00010308-HD | 1 | Complete set of HDMI 8" (20cm) long coax cable assemblies, SMA Jack. or SMA Plug – Please see ordering information. |
| | or ZX00020308-HD | 1 | |
| 3 | ZX200L508-HD | 0 | USB based HDMI Termination board |
| 4 | ZX000x0316-HD | 0 | Complete 10 HDMI 16" (40cm)" long coax cable assemblies. |
| 5 | ZX202HD | 0 | HDMI EDID emulation module |
| 6 | ZX00WT-09NM | 0 | SMA Wrench Torque 5/16" (8mm) |

Circuit Diagram



R1 , R2 connecting connector's case (body) to internal GND planes as well as top/bottom GND fills. As default R1, R2 are not populated.
NS: Not stuff
TP – GND test point



Note
ALL ZEBAX products are RoHS compliant and Lead Free unless otherwise indicated.

Ordering INFO:
Part Number
ZX200CPC-X options

J : SMA Jack (Standard)
P : SMA Plug connector

ZEBAX TECHNOLOGIES
SANTA CRUZ, CA U.S.A (831) 2 2 2 - 0717
WWW.ZEBAX.COM

SPECIFIED DIMENSIONS ARE INCHES (MM). ROHS COMPLIANT

ASSEMBLY DRAWING
ITEM: ZX200CPC-21

DESCRIPTION: HDMI type C (mini) plug 1.4a 2.0 2.1 TPA-P-TDR electrical breakout adapter 16GHz

CHECKED: M. MARINA
DRAWN: SLAVIK
REVISION: 1.0
SHEET: 1 OF 2

Notice

ALL ZEBAX TECHNOLOGIES DESIGN SPECIFICATIONS, DRAWINGS, PUBLICATIONS, AND OTHER DOCUMENTS (TOGETHER AND SEPARATELY, "MATERIALS") ARE BEING PROVIDED "AS IS." ZEBAX MAKES NO WARRANTIES, EXPRESSED, IMPLIED, STATUTORY, OR OTHERWISE WITH RESPECT TO THE MATERIALS, AND EXPRESSLY DISCLAIMS ALL IMPLIED WARRANTIES OF NO INFRINGEMENT, MERCHANTABILITY, AND FITNESS FOR A PARTICULAR PURPOSE.

Information furnished is believed to be accurate and reliable. However, Zebax Technologies assumes no responsibility for the consequences of use of such information or for any infringement of patents or other rights of third parties that may result from its use. Specifications mentioned in this publication are subject to change without notice. This publication replaces all other information previously supplied. Zebax Technologies products are not authorized as in life support devices or systems.

Product Name: ZX200CPC-21 HDMI type C (mini) plug 1.4a 2.0 2.1 TPA-P TDR electrical breakout adapter , Cont's

Test procedure: [ZXAN-HDMI-2.1-Test-Procedure](#) application note provides HDMI electrical test procedure.

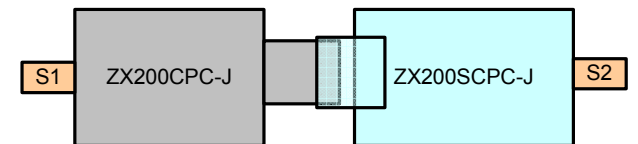
Test Record: Below are links to the existing test record for the ZX200CPC-20 TPA-P TDR HDMI electrical breakout adapter.

[ZXTR-ZX200CPC-SCPC](#)

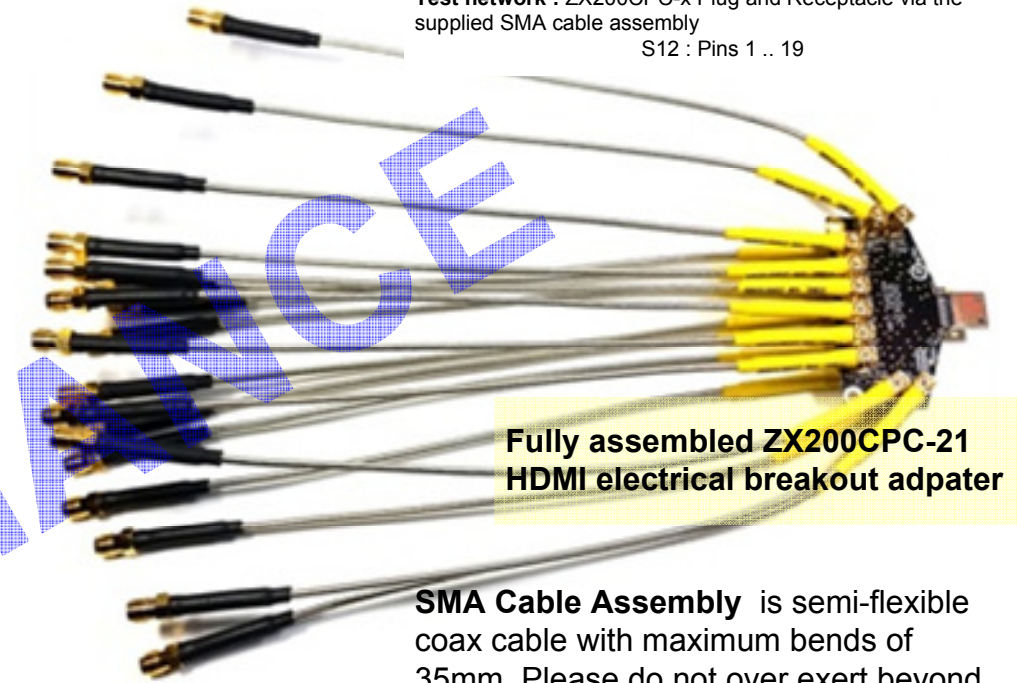
Insertion loss: ZX200CPC-21 with low insertion loss measuring $\leq -3\text{dB}$ at 6GHz $\leq -4\text{dB}$ at 8GHz

S-Parameter files: The S-Parameter was obtained using mated ZX200CPC-21 and ZX200SCPC-21 HDMI electrical breakout adapters. Please download the S-Parameter files, .s2p files for ALL 19 signals networks from here :

[ZX200CPC-SCPC-21-S-Parameter](#)



Test network : ZX200CPC-x Plug and Receptacle via the supplied SMA cable assembly
S12 : Pins 1 .. 19



Fully assembled ZX200CPC-21 HDMI electrical breakout adapter

SMA Cable Assembly is semi-flexible coax cable with maximum bends of 35mm. Please do not over exert beyond the cable's tolerance.

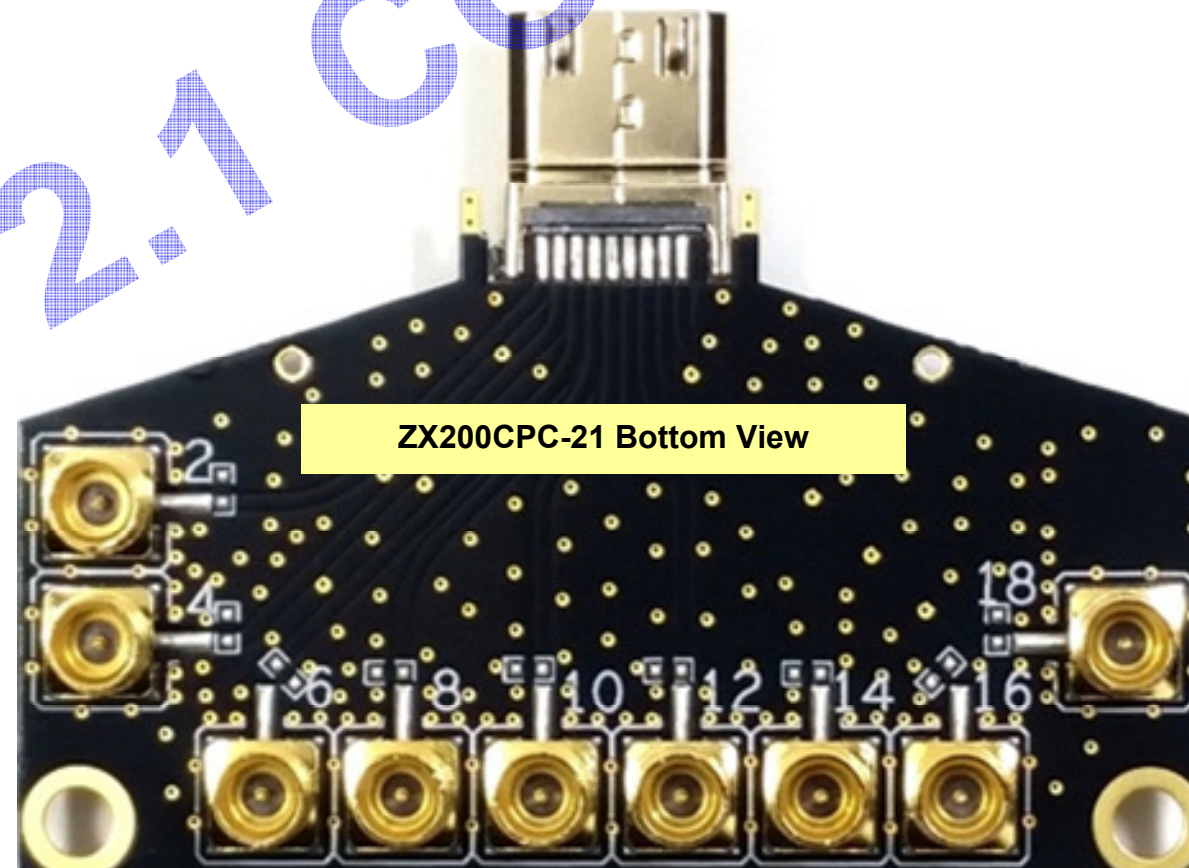
Pinouts: HDMI Plug signal assignments listed below

| Pin | HDMI Connector type | | |
|-----|---------------------|-----------------|----------------|
| | Type A | Type C (mini) | Type D (micro) |
| 1 | TXD2P | GND | HOTPLUG/ HEAC- |
| 2 | GND | TXD2P | RSV / HEAC+ |
| 3 | TXD2N | TXD2N | TXD2P |
| 4 | TXD1P | GND | GND |
| 5 | GND | TXD1P | TXD2N |
| 6 | TXD1N | TXD1N | TXD1P |
| 7 | TXD0P | GND | GND |
| 8 | GND | TXD0P | TXD1N |
| 9 | TXD0N | TXD0N | TXD0P |
| 10 | TXCP | GND | GND |
| 11 | GND | TXCP | TXD0N |
| 12 | TXCN | TXCN | TXCP |
| 13 | CEC | GND | GND |
| 14 | RSV / HEAC+ | CEC | TXCN |
| 15 | DDC_SCL | DDC_SCL | CEC |
| 16 | DDC_SDA | DDC_SDA | GND |
| 17 | GND | RSV / HEAC+ | DDC_SCL |
| 18 | +5V | +5V | DDC_SDA |
| 19 | HOTPLUG / HEAC- | HOTPLUG / HEAC- | +5V |

Notice

ALL ZEBAX TECHNOLOGIES DESIGN SPECIFICATIONS, DRAWINGS, PUBLICATIONS, AND OTHER DOCUMENTS (TOGETHER AND SEPARATELY, "MATERIALS") ARE BEING PROVIDED "AS IS." ZEBAX MAKES NO WARRANTIES, EXPRESSED, IMPLIED, STATUTORY, OR OTHERWISE WITH RESPECT TO THE MATERIALS, AND EXPRESSLY DISCLAIMS ALL IMPLIED WARRANTIES OF NO INFRINGEMENT, MERCHANTABILITY, AND FITNESS FOR A PARTICULAR PURPOSE.

Information furnished is believed to be accurate and reliable. However, Zebax Technologies assumes no responsibility for the consequences of use of such information or for any infringement of patents or other rights of third parties that may result from its use. Specifications mentioned in this publication are subject to change without notice. This publication replaces all other information previously supplied. Zebax Technologies products are not authorized as in life support devices or systems.



ZX200CPC-21 Bottom View

Note

ALL ZEBAX products are RoHS compliant and Lead Free unless otherwise indicated.

ZEBAX TECHNOLOGIES
SANTA CRUZ, CA U.S.A (831) 2 2 2 - 0717
WWW.ZEBAX.COM

SPECIFIED DIMENSIONS ARE INCHES (MM). ROHS COMPLIANT

ASSEMBLY DRAWING

ITEM: ZX200CPC-21

DESCRIPTION: HDMI type C (mini) plug 1.4a 2.0 2.1 TPA-P-TDR electrical breakout adapter 16GHz

CHECKED: M. MARINA

DRAWN: SLAVIK

REVISION: 1.0
SHEET: 2 OF 2