

Product Name: ZX104XN Mictor Plug Breakout Adapter

Product Description: Mictor plug (male) breakout adapter , Designed for test & measurement of electronic designs utilizing Mictor connector interface. ZX104XN Mictor breakout adapter has onboard Mictor plug connector, mating with Mictor receptacle (socket) connector series. ZX104XN Mictor breakout adapter is offered in Right Angle (RA) and Straight (ST) header configuration.

- 1- Each Mictor plug connector's signal is routed to onboard header.
- 2- Listed number adjacent to each header pin represents the associated TE Mictor plug pin number, see table 1
- 3- All traces are **50 Ω** impedance controlled design.
- 4- Four layers PCB design, inner layers are GND planes with over 120+ ground stitching vias (covered by solder mask).
- 5- One accessible GND test point, The test point is connected to module's GND planes and direct interface to the Mictor connector's GND blade.
- 6- Improved signal integrity and crosstalk.
- 7- Ease of interface with single channel and differential scope probes. Fully compatible with Single Ended ,or Differential Pair design applications.
- 8- Mates with any height and form factor Mictor receptacle connector series.
- 9- Flying lead wire assembly may be used for board to board interface – See ordering information, see [ZX100ACC-SS](#)

Electrical:
 Insertion loss > -1.6dB @3GHz
 Trace impedance: 50 Ω
 Operating Temperature: -55°C to +125°C
 TE Connector:
 Onboard Connector: Mictor plug 2rows x 19 pins/row
 Mates with: Any Mictor receptacle formfactor
 Pitch: 0.025" (0.64mm) pin to pin pitch
 Plating: Gold Flash
 Header:
 Pitch: 0.1" (2.54mm) pin to pin pitch
 Pin: Square 0.025" (0.635mm)
 Height: 0.24" (6mm)
 Plating: Gold Flash

Application: Pre-bringup, Bringup, testing, emulation, development, modular design evaluations

Mates with : Any Tyco's 38 pin Mictor Socket (Receptacle) offered at any height
 5767153-8 5767095-1 767044-1 767007 767056 767111 767116 767117 767118 767119 5767006 5767044
 Agilent Tektronix 5346-6002 E5339A E5334A E5351A E5346-6002 E5346-63201

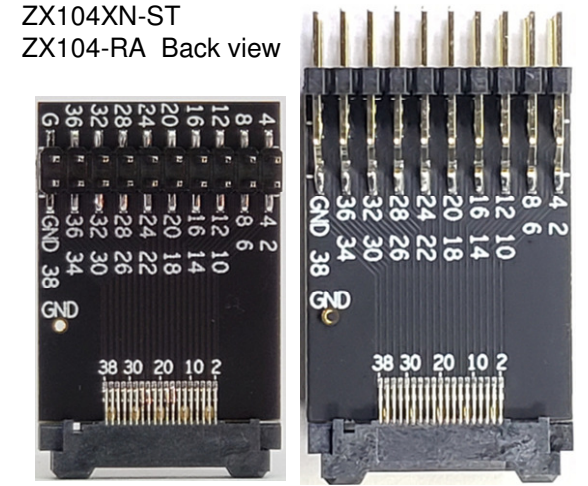
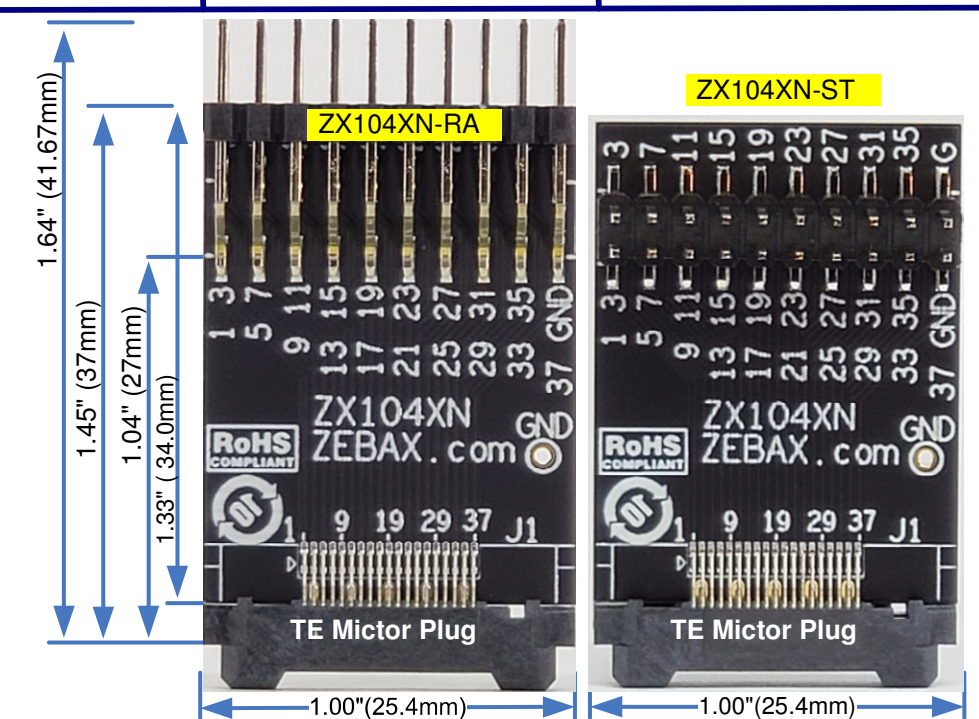
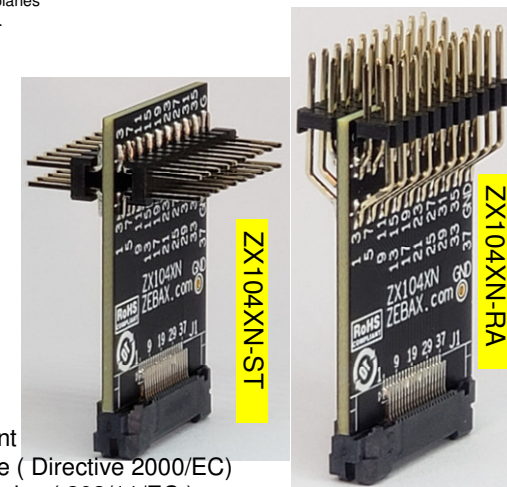
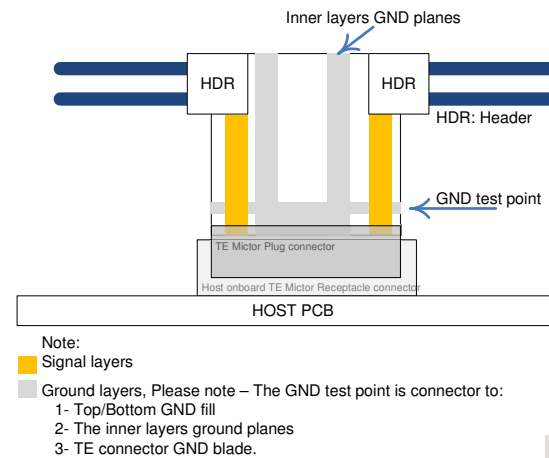
Table 1 - ZX104XN- Mictor 38 Plug pin configuration

Layer		3	7	11	15	19	23	27	31	35	GND
TOP	J2	1	5	9	13	17	21	25	29	33	37
		3	7	11	15	19	23	27	31	35	GND
TOP	Mictor_Plug	1, 3, 5, 7, 9, .. 37									
BOTTOM	J1	2, 4, 6, 8, 10, .. 38									
BOTTOM	J3	4	8	12	16	20	24	28	32	36	GND
		2	6	10	14	18	22	26	30	34	38

Header numbering refers to the Mictor's pin number
 "GND" header pins are connected to the 2 internal ground layers as well as top/bottom GND fills.

Notice
 ALL ZEBAX TECHNOLOGIES DESIGN SPECIFICATIONS, DRAWINGS, PUBLICATIONS, AND OTHER DOCUMENTS (TOGETHER AND SEPARATELY, "MATERIALS") ARE BEING PROVIDED "AS IS." ZEBAX MAKES NO WARRANTIES, EXPRESSED, IMPLIED, STATUTORY, OR OTHERWISE WITH RESPECT TO THE MATERIALS, AND EXPRESSLY DISCLAIMS ALL IMPLIED WARRANTIES OF NO INFRINGEMENT, MERCHANTABILITY, AND FITNESS FOR A PARTICULAR PURPOSE.
 Information furnished is believed to be accurate and reliable. However, Zebax Technologies assumes no responsibility for the consequences of use of such information or for any infringement of patents or other rights of third parties that may result from its use. Specifications mentioned in this publication are subject to change without notice. This publication replaces all other information previously supplied. Zebax Technologies products are not authorized as in life support devices or systems.

Figure 1 - ZX104XN-x simplified cross section



Ordering INFO:
 Part Number
 ZX104XN-X options
 RA : Right Angle header
 ST : Straight header (Standard)

[ZX100ACC-SS](#) Flying leads wire assembly
[ZX100ACC-SS site page](#) – visiting the flying leads wire assembly

Note ALL ZEBAX products are RoHS compliant and Lead Free unless otherwise indicated.

ZEBAX TECHNOLOGIES
 SANTA CRUZ, CA U.S.A (831) 222-0717
 WWW.ZEBAX.COM

SPECIFIED DIMENSIONS ARE INCHES (MMD). ROHS COMPLIANT	ASSEMBLY DRAWING	
	ITEM:	ZX104XN-ST ZX104XN-RK
DESCRIPTION: Mictor plug breakout adapter 38 pins		
CHECKED: M. MARINA	DRAWN: SLAVIK	REVISION: 1.0 SHEET: 1 OF 1