

Product Name: ZX104LNR-RK TE Mictor 0.64mm (0.025") pitch Breakout Adapter – in-system rackmount – low profile

Product Description: 19pins per row x 2 rows --> 38 pins breakout adapter supporting TE's (Tyco/AMP/T) Mictor receptacle / plug design legacy Mictor high speed connectors. ZX104LNR-RK is designed for rackmount or low profile test and measurement applications; servers or networking hardware in any standard rackmount. ZX104LNR-RK has onboard Mictor receptacle connector, mating with Mictor Plug connector series.

- 1- Each Mictor Receptacle connector's signal is routed to onboard header.
- 2- Listed number adjacent to each header pin represents the associated TE Mictor receptacle pin number.
- 3- All traces are 50 Ohms impedance controlled.
- 4- Four layers PCB design, inner layers are GND planes.
- 5- One accessible GND test point, The test point is connected to module's GND planes and direct interface to the connector GND blade.
- 6- Offering Low profile design, targeting in-system rackmount or low profile design test & measurement applications.
- 7- Ease of interface with single channel and differential scope probes.
- 8- Fully compatible with Single Ended , -D, and Differential Pair, -DP, TE Mictor connector receptacle series & cable assemblies
- 9- Mates with any height and form factor Mictor plug connector series.
- 11- Flying lead wire assembly may be used for board to board interface – See ordering information, see [ZX100ACC-SS](#)

Electrical:
 Insertion loss > -2dB @8GHz
 Trace impedance: 50 Ω
 Operating Temperature: -55°C to +125°C
 TE Connector:
 Onboard Connector: Mictor Receptacle 2rows x 19 pins/row
 Mates with: Any Mictor Plug formfactor
 Pitch: 0.025" (0.64mm) pin to pin pitch
 Plating: Gold Flash
 Header:
 Pitch: 0.1" (2.54mm) pin to pin pitch
 Pin: Square 0.025" (0.635mm)
 Height: 0.24" (6mm)
 Plating: Gold Flash

Application: Bringup, testing, emulation, development, modular design evaluations

Mates with : Any Tyco's 38 pin Mictor Plug offered at any height
 767007-8 767056-1 5767007-8 5767056-1 767139-1 767140-1 5767139-1 5767140-1
 767003-9 767087-1 5767003-9 5767087-1 767005-8 767057-1 5767057-1 5767057-1
 767025-1 5767025-1 767025-2 5767025-2 767042-1 5767042-1 767042-2 5767042-2
 767032-1 5767032-1 767032-2 5767032-2 767017-1 5767017-1 767017-2 5767017-2
 767006-1 5767006-1 767055-1 5767055-1
 Agilent 5346-6002 E5339A E5334A E5351A E5346-6002 E5346-63201

ZX104LNR-RK Header pin configuration

TOP	4	8	12	16	20	24	28	32	36	GND
	2	6	10	14	18	22	26	30	34	38
BOTTOM	3	7	11	15	19	23	27	31	35	GND
	1	5	9	13	17	21	25	29	33	37

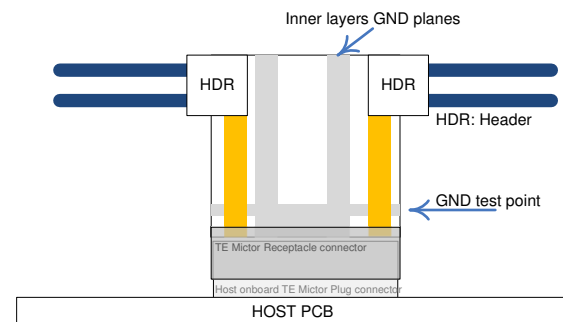
Header pin numbers refer to the TE Mictor receptacle connector pin number
 "GND" header pins are connected to the 2 internal ground layers as well as top/bottom GND fills.

Notice

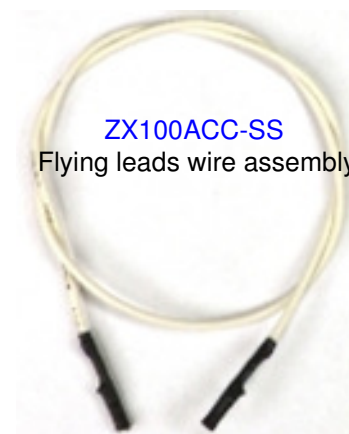
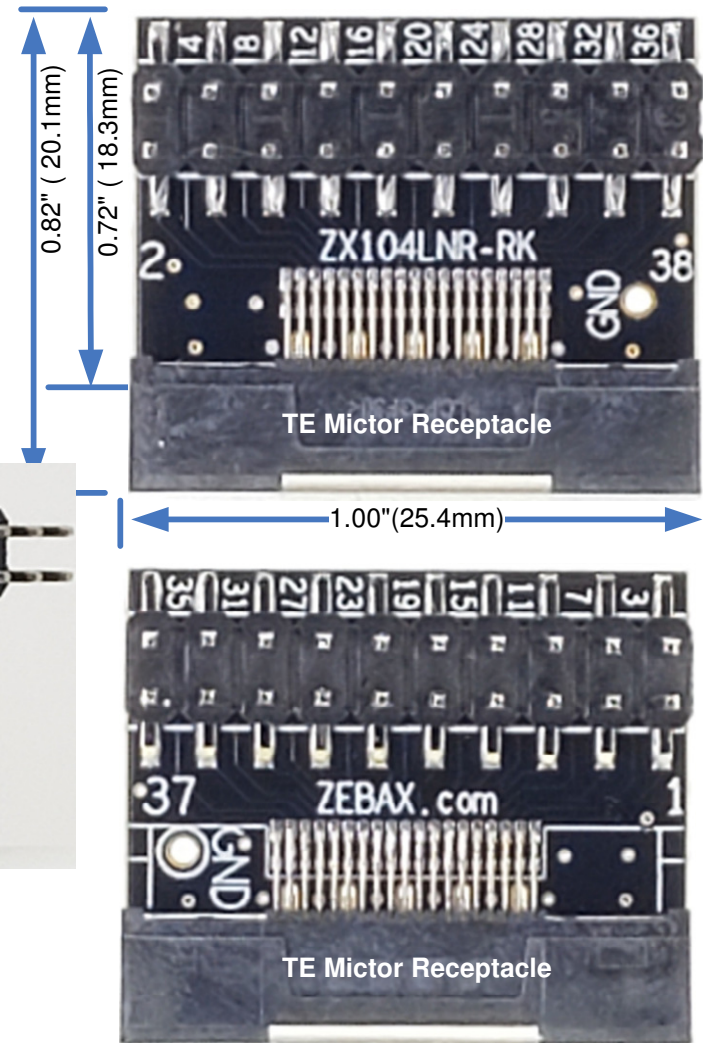
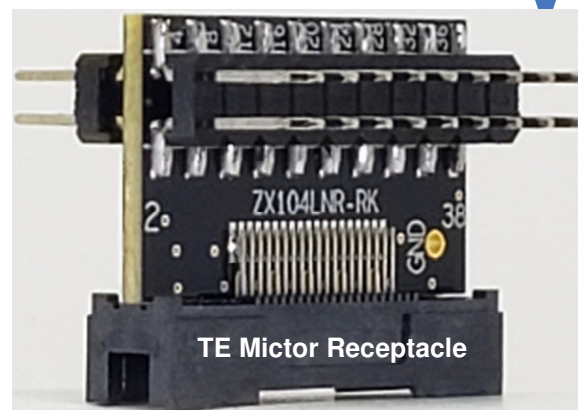
ALL ZEBAX TECHNOLOGIES DESIGN SPECIFICATIONS, DRAWINGS, PUBLICATIONS, AND OTHER DOCUMENTS (TOGETHER AND SEPARATELY, "MATERIALS") ARE BEING PROVIDED "AS IS." ZEBAX MAKES NO WARRANTIES, EXPRESSED, IMPLIED, STATUTORY, OR OTHERWISE WITH RESPECT TO THE MATERIALS, AND EXPRESSLY DISCLAIMS ALL IMPLIED WARRANTIES OF NO INFRINGEMENT, MERCHANTABILITY, AND FITNESS FOR A PARTICULAR PURPOSE.

Information furnished is believed to be accurate and reliable. However, Zebax Technologies assumes no responsibility for the consequences of use of such information or for any infringement of patents or other rights of third parties that may result from its use. Specifications mentioned in this publication are subject to change without notice. This publication replaces all other information previously supplied. Zebax Technologies products are not authorized as in life support devices or systems.

ZX104LNR-RK simplified cross section diagram



Note:
 Signal layers
 Ground layers, Please note – The GND test point is connector to:
 1- Top/Bottom GND fill
 2- The inner layers ground planes
 3- TE connector GND blade.



ZX104LNR-RK package includes:

Part number	Quantity	Description
ZX104LNR-RK	1	TE Breakout Adapter module
ZX100ACC-SS	0	Flying leads wire assembly

[ZX100ACC-SS site page](#) for ordering the flying leads wire assembly

Note - ALL ZEBAX products are RoHS compliant and Lead Free unless otherwise indicated.

ZEBAX TECHNOLOGIES
 SANTA CRUZ, CA U.S.A (831) 222-0717
 WWW.ZEBAX.COM

SPECIFIED DIMENSIONS ARE INCHES (MM). ROHS COMPLIANT	ASSEMBLY DRAWING	
	ITEM: ZX104LNR-RK	
DESCRIPTION: In-system rackmount / low profile TE Mictor breakout adapter Receptacle-RK		
CHECKED: M. MARINA	DRAWN: MATTHEW	REVISION: 1.0
		SHEET: 1 OF 1