

Product Name: ZX050C-WLB1010 (U-WLB1010-4) Characterization testing bringup breakout module

Product Description: High Speed characterization module meeting 10GHz signal bandwidth with < 0.3dB insertion loss. Each pin of the device under test, U1, is accessible via 2 dedicated SMA connectors for external stimulus as well as measurement purpose.

ZX050C-WLB1010 is designed for ASIC (IC) characterization, functional testing of U-WLB1010-4 packaged device. ZX50C-WLB1010 is designed with 50 Ω (Ohms) trace impedance using 4 layer PCB. The module includes 35μ gold plated SMA connectors.

Ideal evaluation, bringup, and testing of any discrete component such as ESD diode, sensor, or any IC using U-WLB1010-4 footprint package.

Available Rxy to GND on each U1 pin (xy is the U1 pin number). Rxy is unpopulated 0402 SMD footprint. User may apply any standard 0402 device as required, resistor, capacitor, bead. ...

Available GND test point header pin interfacing with the module's GND plane & GND fills

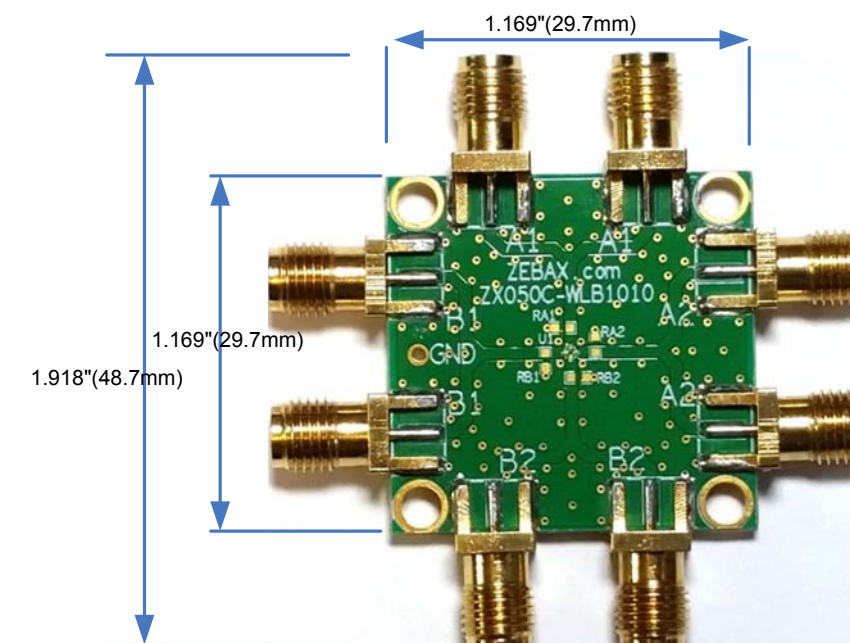
Application: Bringup, Characterization, testing, development, modular design evaluations

Target DUT : Designed specifically for any WLB1010-4 (U-WLB1010-4) SMD device with SMA connectors accessing all pins of the WLB1010

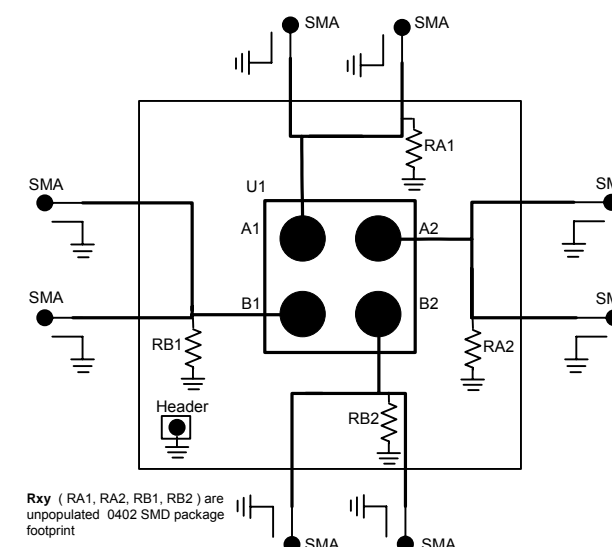
Pitch: Standard WLB1010 (U-WLB1010-4) SMD package or equivalent

Headers: Ground access test point (GND) - 0.025" SQ with 0.32" (5.6mm) post height

DUT landing pads: Surface Mount, 4 pin package – WLB1010-4 (U-WLB1010-4) or equivalent



Simplified Block Diagram:



Rxy (RA1, RA2, RB1, RB2) are unpopulated 0402 SMD package footprint

WLB1010-4 DIMENTIONS (mm)

UNIT		b	e	D	E
mm	max	0.3520		1.030	1.030
	typical	0.3200	0.500	1.040	1.040
	min	0.2880		1.050	1.050

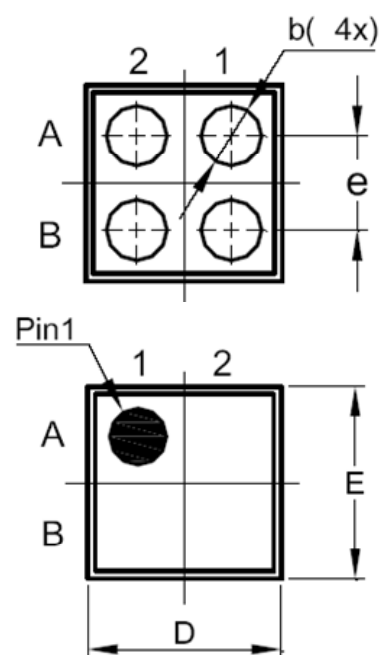
OUTLINE Version	REFERENCES			
	IEC	JEDEC	JEITA	
U-WLB1010-4				

SMA:
 Impedance: 50Ω
 Temp Range: -65°C +165°C
 Vibration: MIL-STD-202, Method 213
 Frequency Range: DC – 12GHz
 Working Voltage: 335V max
 Withstand Voltage: 1000V rms
 Center Contact: ≤3mΩ
 Outer Contact: ≤2mΩ
 Insulation resistance: ≥5000MΩ
 VSWR Straight: ≤1.15 (0.8-2.5G)

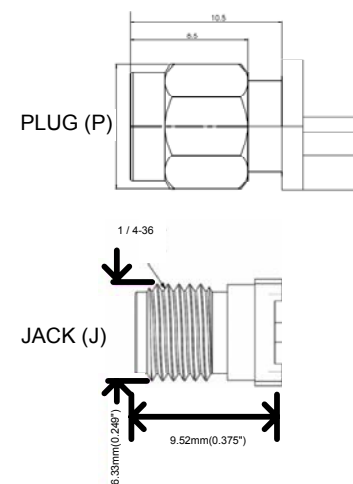
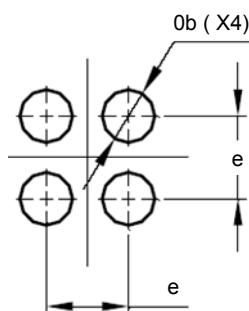
Notice

ALL ZEBAX TECHNOLOGIES DESIGN SPECIFICATIONS, DRAWINGS, PUBLICATIONS, AND OTHER DOCUMENTS (TOGETHER AND SEPARATELY, "MATERIALS") ARE BEING PROVIDED "AS IS." ZEBAX MAKES NO WARRANTIES, EXPRESSED, IMPLIED, STATUTORY, OR OTHERWISE WITH RESPECT TO THE MATERIALS, AND EXPRESSLY DISCLAIMS ALL IMPLIED WARRANTIES OF NO INFRINGEMENT, MERCHANTABILITY, AND FITNESS FOR A PARTICULAR PURPOSE.

Information furnished is believed to be accurate and reliable. However, Zebax Technologies assumes no responsibility for the consequences of use of such information or for any infringement of patents or other rights of third parties that may result from its use. Specifications mentioned in this publication are subject to change without notice. This publication replaces all other information previously supplied. Zebax Technologies products are not authorized as in life support devices or systems.



Pad Layout



Ordering INFO:

Part Number
 ZX050C-WLB1010J SMA Jack Connector type (standard)
 ZX050C-WLB1010P SMA Plug connector type

NOTE: ZX050C-WLB1010 is shipped without DUT. All SMA connectors are installed.

Note
 ALL ZEBAX products are RoHS compliant and Lead Free unless otherwise indicated.

ZEBAX TECHNOLOGIES
 SANTA CRUZ, CA U.S.A (831) 222-0717
 WWW.ZEBAX.COM

SPECIFIED DIMENSIONS ARE INCHES (MM). ROHS COMPLIANT

ASSEMBLY DRAWING

ITEM: ZX050C-WLB1010

DESCRIPTION: WLB1010-4 (U-WLB1010-4) characterization testing bringup breakout adapter SMA

CHECKED: M. MARINA

DRAWN: SLAVIK

REVISION: 1.0
 SHEET: 1 OF 1